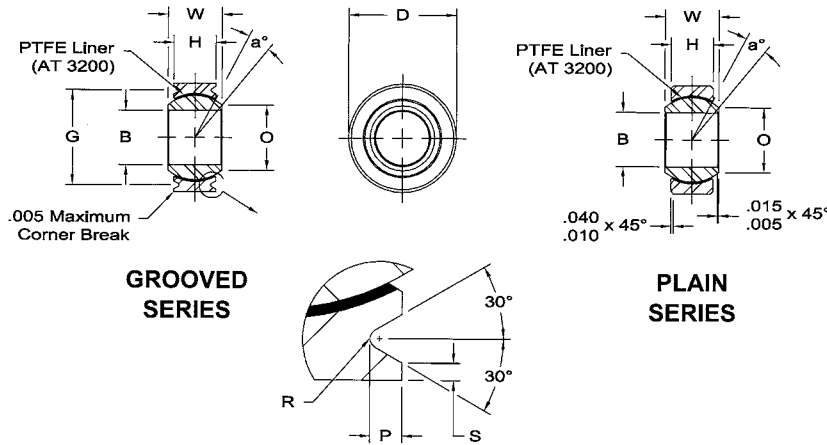


Pegasus Part No. 3070 Performance Racing Spherical Bearings, Wide Series (Aurora PWB and PWB-G Series)

These spherical bearings provide excellent strength and durability. The ball is heat-treated and hard chrome plated alloy steel. The stainless steel race has a self-lubricating PTFE fabric lining bonded to it. These bearings are very resistant to loosening, even when subjected to the pounding they receive under racing conditions. They are available with plain races (to be retained with a circlip) or grooved races (for permanent staking into an assembly). Aurora PWB-T (plain) and PWB-TG (grooved) series.



Race: 17-4 PH Stainless steel (AMS 5643), heat treated.

Ball: Alloy steel, heat treated and hard chrome plated (heat-treated 440C stainless steel at manufacturer's option).

Lubrication: (AT3200) Self-lubricating PTFE liner. Qualified to SAE-AS81820 (formerly MIL-B-81820).

Aurora PWB-T (Plain) Performance Racing Spherical Bearings											Aurora PWB-TG (Grooved) Bearings*				
B Bore +.0000 -.0005	W Ball Width ± .005	H Race Width ± .005	D Race OD +.0000 -.0005	O Ball Face Diameter min.	a° Max. Angle	Weight, Ounces (Approx.)	Load Limits		No-Load Rotational Breakaway Torque, in-lb	Pegasus Part No.	G Groove Diameter +.000 -.008	P Groove Depth +.000 -.010	R Root Radius +.002 -.005	S Groove OD to Race OD min.	Pegasus Part No.
							Static Radial Load	Static Axial Load							
5/16"	7/8"	0.317"	1 1/16"	0.360"	14°	0.7	9400 lb	1640 lb	0.25 - 8	3070-5	0.625"	0.025"	0.010"	0.010"	3070-5G
3/8"	1/2"	0.406"	13/16"	0.466"	8°	1	13,700 lb	2360 lb	0.25 - 8	3070-6	0.712"	0.035"	0.015"	0.020"	3070-6G
7/16"	9/16"	0.442"	15/16"	0.537"	10°	1.3	20,700 lb	3650 lb	0.25 - 8	3070-7	0.837"	0.035"	0.015"	0.020"	3070-7G
1/2"	5/8"	0.505"	1"	0.607"	9°	1.6	21,400 lb	4970 lb	0.25 - 8	3070-8	0.900"	0.035"	0.015"	0.020"	3070-8G
9/16"	1 1/16"	0.536"	1 1/8"	0.721"	10°	2.3	26,600 lb	5370 lb	0.25 - 8	3070-9	1.025"	0.040"	0.015"	0.020"	3070-9G
5/8"	3/4"	0.567"	1 3/16"	0.747"	12°	2.6	29,000 lb	6130 lb	0.25 - 8	3070-10	1.087"	0.035"	0.015"	0.020"	3070-10G
3/4"	7/8"	0.630"	1 3/8"	0.845"	13°	3.9	37,000 lb	7730 lb	0.25 - 8	3070-12	1.251"	0.055"	0.015"	0.020"	3070-12G

* Note: The "Grumman Groove" is designed for installations where the bearing will be permanently staked into the assembly using a press and a special anvil. If your installation uses a snap ring or circlip to hold the bearing in place, use the plain type.

Part No. 3070 Performance Racing Spherical Bearings, Wide Series

Aurora Spherical Bearings

Suspension Technical Documents



Pegasus Auto Racing Supplies
2475 S 179th St
New Berlin, WI 53146

1-800-688-6946 / 262-317-1234
1-262-317-1201 (fax)
www.PegasusAutoRacing.com