

Webster and Hewland Gearbox Parts for Mk-Series from Drawing B

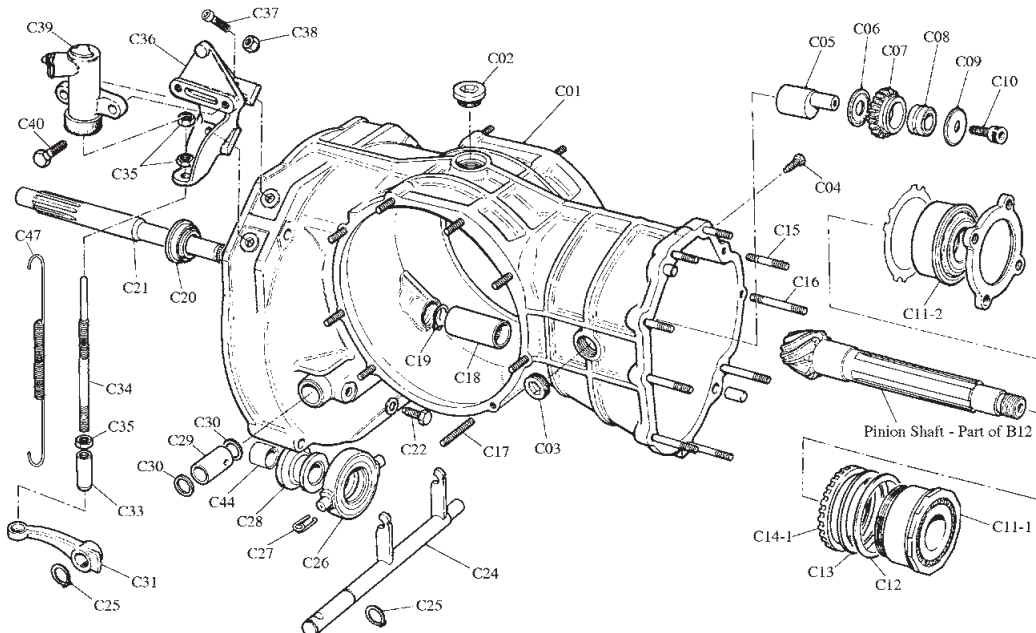
Description and Hewland No. in ()'s	Part No.	Price ea.
LH Side Plate, Webster Mk 9, requires B05-1 & B10-1	1410-B01-2	\$639.00
RH Side Plate, Webster Mk 9, requires B05-1 & B10-1	1410-B02-2	\$515.00
Stub Axle, LH, Webster differential only (25 Spline)	1410-B03-1	\$359.99
Stub Axle Oil Seal, Webster Model 400, 1 per side	1410-B05-1	\$14.49
Stub Axle Oil Seal, VW IRS Sideplate, 1 per side	1410-B05-2	\$13.99
Stub Axle Oil Seal, Hewland Mk 9, 1 per side (HC9-205-4)	1410-B05-3	\$14.99
Dbl. Row Stub Axle Bearing, Mk 9 & Webster (HC9-205-3)	1410-B06-1	\$74.99
Spacer, left-hand (0.35" thick), Mk 9 (HC9-205-2A)	1410-B07-LH	\$35.99
Spacer, right-hand (0.50" thick), Mk 9 (HC9-206-2A)	1410-B07-RH	\$44.99
Stub Axle Snap Ring, Mk 9, 2 used (FT219-1A)	1410-B08-1	\$1.99
.003" thick Diff. Carrier Bearing Shim, Webster only	1410-B09-03	\$4.99
.006" thick Diff. Carrier Bearing Shim, Webster only	1410-B09-06	\$4.99
.012" thick Diff. Carrier Bearing Shim, Webster only	1410-B09-12	\$4.99
.025" thick Diff. Carrier Bearing Shim, Webster only	1410-B09-25	\$4.99
Diff. Carrier Bearing for Webster side plates, 2 required	1410-B10-1	\$26.99
2.89" OD outer race fits Webster side plates only.		
Diff. Carrier Bearing for Hewland side plates, 2 required	1410-B10-3	\$124.99
3.00" OD outer race fits Hewland side plates only.		

Description and Hewland No. in ()'s	Part No.	Price ea.
Lightweight Aluminum TDI Differential Carrier (Part No. B11 in drawing B)		
For Webster / Hewland Mk 8/9, early LD200	Part No. 1415-1	\$619.00
Weights just 4.1 pounds with bearings pre-installed. Made with pride in the USA.		
Old Style Webster Ring Gear Bolt, 3/8"-24, 8 used	1410-B13-1	\$1.49
Washer for above, 3/8" I.D., 8 used	1410-B13-4	\$1.49
The ring gears currently stocked do not use this size bolt.		
Webster/Hewland Ring Gear Bolt, 7/16"-20, 8 used (FT221-1)	1410-B13-3	\$1.69
Washer for above, 7/16" I.D., 8 used	1410-B13-2	\$1.19
The ring gears currently stocked use the 7/16"-20 bolt.		
8mm Nylock Side Cover Nut, 16 used (HC8-201-3A)	1410-B14	99c
8mm Flat Washer for above, 16 used (FT202-7)	1410-B15	49c
Hewland Spider Gear, 2 used (HC8-214-3 & Staffs)	1410-B17H	\$111.99
Dished Washer, 2 used (HC8-214-6 & Staffs)	1410-B18	\$29.79
Hewland Side Gear, 2 used, 18 spline (HC8-214-4 & Staffs)	1410-B19H-1	\$204.99
Webster Side Gear, 2 used, 25 spline	1410-B19-2	\$128.99
Flat Washer for side gear, 2 used (HC8-214-5 & Staffs)	1410-B20	\$29.79
Roll Pin for cross shaft (HC8-214-7)	1410-B21	\$1.49

Webster and Hewland Gearbox Parts for Mk-Series from Drawing C

Description and Hewland No. in ()'s	Part No.	Price ea.
Magnetic 24mm Filler Plug with 17mm hex (HC201-1)	1410-C03	\$19.99
Reverse Idler Spigot Retaining Bolt (HC237-6)	1410-C04	\$1.79
Reverse Idler Spigot with 5/16"-24 thread (HC237-3)	1410-C05	\$112.99
Back Washer for reverse idler (HC237-4)	1410-C06	\$43.99
Hewland Reverse Idler Gear, 20 Tooth, Mk 4,6,8 & 9 (HC237-1)	1410-C07H-4	\$314.99
Reverse Idler Bearing (HC237-2)	1410-C08	\$41.99
Retainer Washer for reverse idler, 5/16 inch hole (HC237-4A)	1410-C09-2	\$66.99
Retaining Bolt, self-locking, 1/4"-28	1410-C10-1	\$1.79
Retaining Bolt, self-locking, 5/16"-24 (HC237-5)	1410-C10-2	\$1.79
Pinion Bearing (uses ring nut) Mk 8, 9 (HC8-222-1)	1410-C11-1	\$324.99
Pinion Bearing (uses 4 bolt plate) Mk 4,5,6 (FT222-1)	1410-C11-3	\$294.99
.006" thick Pinion Bearing Shim, ring nut type only	1410-C12-06	\$3.99
.008" thick Pinion Bearing Shim, ring nut type only	1410-C12-08	\$5.49
.012" thick Pinion Bearing Shim, ring nut type only	1410-C12-12	\$4.79
.015" thick Pinion Bearing Shim, ring nut type only	1410-C12-15	\$7.49
.020" thick Pinion Bearing Shim, ring nut type only	1410-C12-20	\$3.99
.024" thick Pinion Bearing Shim, ring nut type only	1410-C12-24	\$3.99
Backing Washer for ring nut (HC8-222-2A)	1410-C13	\$14.99
Ring Nut for pinion bearing (HC8-222-1A)	1410-C14-1	\$45.99
Short Bearing Carrier Stud, 4 or 9 used (HC201-4)	1410-C15	\$5.99
Long Bearing Carrier Stud, 5 or none used (HC201-4A)	1410-C16	\$9.99
Stud for Side Plates, 16 used (HC201-2)	1410-C17	\$5.99
Repair Stud for Side Plate	1410-C17-10MM	\$7.49
Repair stripped threads without a Helicoil. One side of this stud has standard 8x1.25mm threads; the other has oversize 10x1.50mm threads.		
Input Shaft Coupling Sleeve (HC236-4)	1410-C18	\$159.99
Snap Ring for input shaft (HC239-0)	1410-C19	\$1.49
Oil Seal for input shaft (HC244-11)	1410-C20	\$11.99

Description and Hewland No. in ()'s	Part No.	Price ea.
Hewland FF standard Input Shaft, 11.56", 7/8 x 20 spline	1410-C21-1	\$1,099.00
Hewland FF long (Lotus) Input Shaft, 12.69", 7/8 x 20 spline	1410-C21-2	\$999.00
Hewland S2000 standard Input Shaft, 11.56", 1" x 23 spline	1410-C21-3	\$1,019.00
Super Vee short input shaft, 10.38", 7/8 x 20 spline	1410-C21-4	\$849.00
Clutch Shaft Pilot Bearing, FF1600/Pinto (not shown)	161-10	\$23.99
Retaining Bolt for cross shaft bushing (HC254-2)	1410-C22	\$4.79
20mm Cross Shaft for late style case (HC9-254-A)	1410-C24-1	\$144.99
16mm Cross Shaft	1410-C24-2	\$27.99
Throw-out Bearing (HC245-A)	1410-C26	\$49.99
Retaining Clip for throwout bearing, 2 used (HC245-12)	1410-C27	\$2.99
FF Bobbin, standard clutch, 1.30" long, 7/8 inch I.D.	1410-C28-1	\$169.99
FF Bobbin, racing clutch, 1.94" long, 7/8 inch I.D.	1410-C28-2	\$169.99
S2000 Bobbin, standard clutch, 1.10" long, 1.13" I.D.	1410-C28-3	\$129.99
S2000 Bobbin, racing clutch, 2.14" long, 1.13" I.D.	1410-C28-4	\$184.99
Bushing for 20mm cross shaft, near end (HC254-1)	1410-C29-1	\$18.49
Bushing for 16mm cross shaft, near end	1410-C29-2	\$18.49
Seal for 20mm cross shaft bushing, 2 used (HC254-3)	1410-C30-1	\$2.09
Lever for 20mm cross shaft (HC254-7)	1410-C31-1	\$107.99
Lever for 16mm cross shaft	1410-C31-2	\$107.99
Clutch Slave Cylinder Push Rod End, Hewland (HC259)	1410-C33H	\$45.49
Clutch Slave Cylinder Push Rod, Hewland (HC8-258)	1410-C34H	\$67.99
Jam Nut for push rod, 3 used (HC2581)	1410-C35	\$1.49
Mounting Bracket for Slave Cylinder (HC8 2587)	1410-C36	\$184.99
Bolt for mounting above bracket to case, 2 used	1410-C37	\$1.49
Nut for mounting above bracket to case, 2 used	1410-C38	99c
Bushing for FF bobbin (use 1 for std., 2 for racing)	1410-C44-1	\$4.99
Bushing for S2000 standard bobbin	1410-C44-3	\$5.99
Bushing for S2000 long bobbin for racing clutch	1410-C44-4	\$7.99
Extension Spring for release lever	1410-C47	\$7.99
Short Stud (3.5") for gearbox adapter ring (top)	1410-C50	\$3.99
Long Stud (4.5") for gearbox adapter ring (bottom)	1410-C51	\$6.49



A Hewland Part No. shown in ()'s in the above listings indicates interchangeability to the best of our knowledge.

Drawing C
Main Case

TRANSAXLE
DIFFERENTIAL